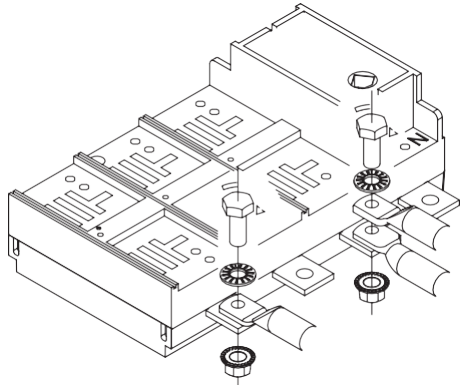
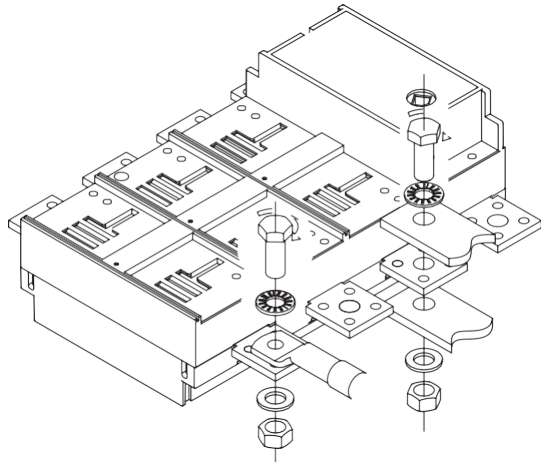


TORQUE WRENCH SETTING SCREWS

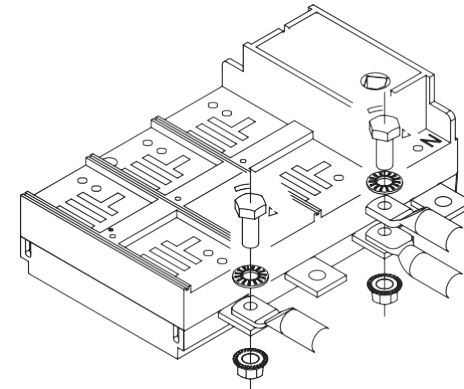


Torque wrench setting screws				
M6	M8	M10	M12	M16
7 Nm	14 Nm	24 Nm	38 Nm	100 Nm

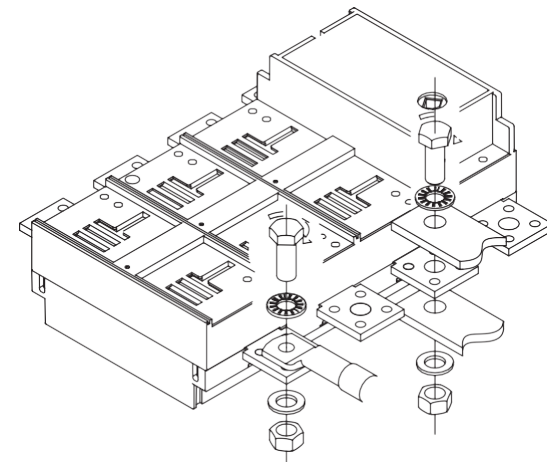


TARU GmbH • Mandacherstrasse 2 • 8233 Bargaen  
 ☎ 052 533 82 33 @ info@taru.ch

TORQUE WRENCH SETTING SCREWS



Torque wrench setting screws				
M6	M8	M10	M12	M16
7 Nm	14 Nm	24 Nm	38 Nm	100 Nm



TARU GmbH • Mandacherstrasse 2 • 8233 Bargaen  
 ☎ 052 533 82 33 @ info@taru.ch